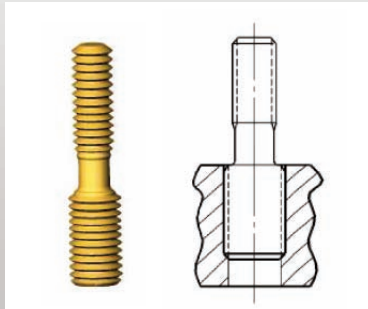


## ***Straight and Stepped Studs***

Straight and stepped studs are designed for minimum boss applications. The studs provide a lightweight, free running steel thread and are locked in place by an interference or tight fit with the tapped thread. Manufactured in alloy steel materials with cad plate finish. Some configurations are available with wrench flats on nut end thread area. Also available in various lengths of engagement.



*(Interference or Tight-fit Studs)*

### **Straight and Stepped Studs**

AN151101 – AN152000

AN152301 – AN152600

AN153501 – AN153800

AN153801 – AN154100

AN154101 – AN154400

AN155601 – AN155900

AN156201 – AN156500

MS9827 – MS9840

MS17293 – MS17298

